

Certified Quality System  
ISO 9001:2000



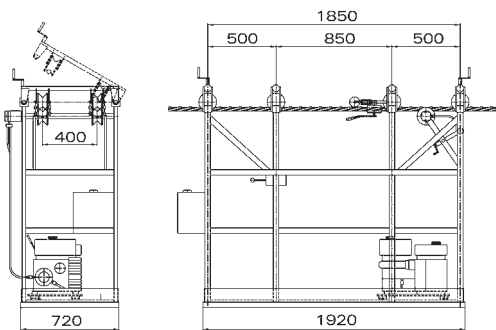
Mod. CRB 060



Mod. CRT 160



Mod. CRQ 140



Mod. CRB 060

Aluminium alloy inspection trolleys that allow two persons in erected position to inspect two, three and four bundled conductor lines.

The trolleys are equipped with spacer and insulators surmounting device, stationary brakes, meter counter.

Special models with different characteristics can be designed according to customer's needs

#### Mod. CRB 061

Inspection trolleys for two bundled conductors lines

Spacing	400 mm
Capacity	2.5 kN
Mass	80 kg

#### Mod. CRB 060

Inspection trolleys for two bundled conductors lines, motorised version

Mass	110 kg
------	--------

#### ENGINE

Gasoline	3 kW
Cooling system	air
Starting system	by handle

#### Mod. CRT 161

Inspection trolleys for three bundled conductors lines

Spacing	400 mm
Capacity	2.5 kN
Mass	90 kg

#### Mod. CRT 160

Inspection trolleys for three bundled conductors lines, motorised version

Mass	120 kg
------	--------

#### ENGINE

Gasoline	3 kW
Cooling system	air
Starting system	by handle

#### Mod. CRQ 141

Inspection trolleys for four bundled conductors lines

Spacing	400 mm
Capacity	2.5 kN
Mass	95 kg

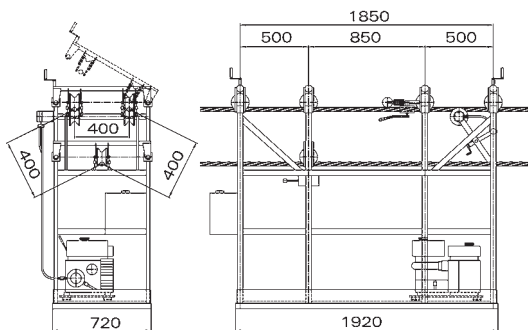
#### Mod. CRQ 140

Inspection trolleys for four bundled conductors lines, motorised version

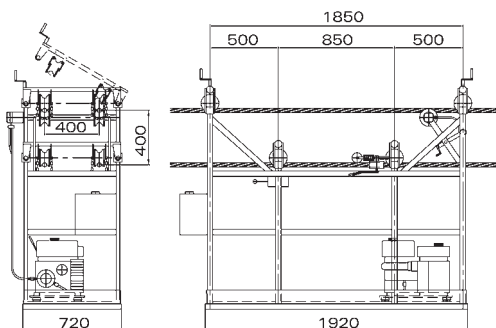
Mass	125 kg
------	--------

#### ENGINE

Gasoline	3 kW
Cooling system	air
Starting system	by handle



Mod. CRT 160



Mod. CRQ 140

TESMEC s.p.a.  
www.tesmec.it  
info@tesmec.it

Sales and manufacturing facilities  
24050 Grassobbio (BG) Italy  
via Zanica 17/O  
tel +39.035.4232911 • fax +39.035.4522445

Manufacturing facilities  
24060 Endine Gaiano (BG) Italy  
via Pertegalli  
tel +39.035.825024 • fax +39.035.826375